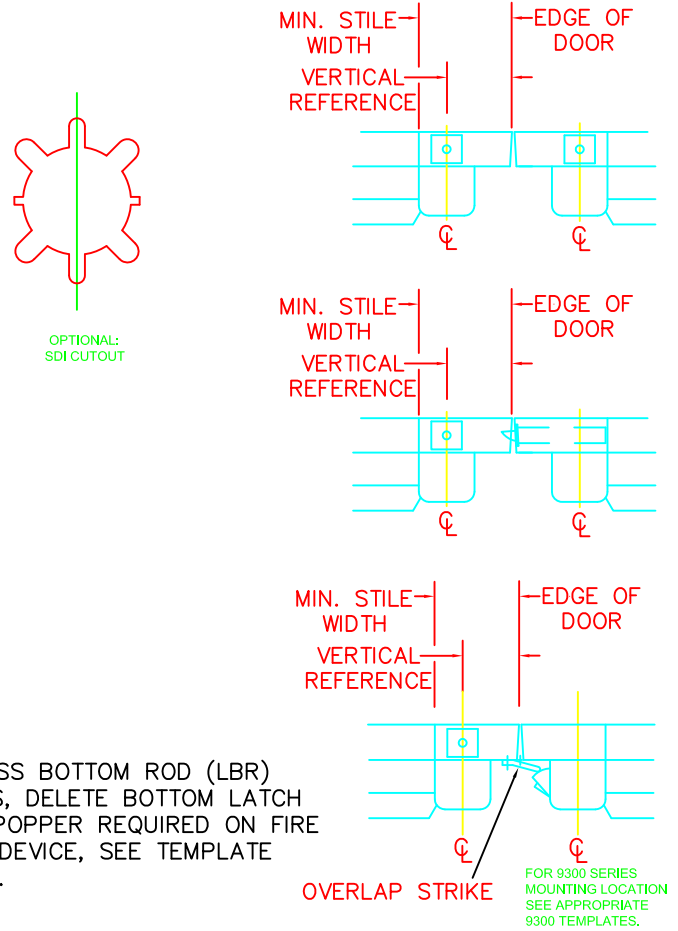
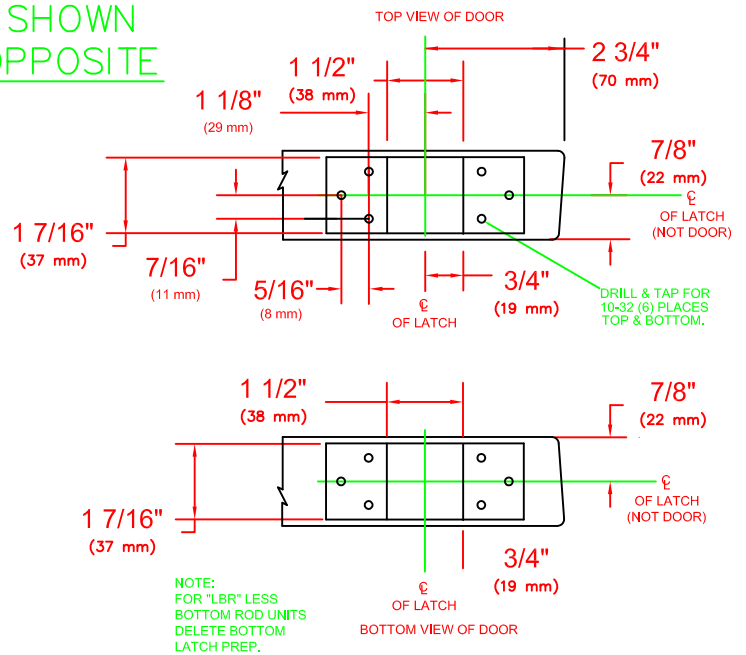
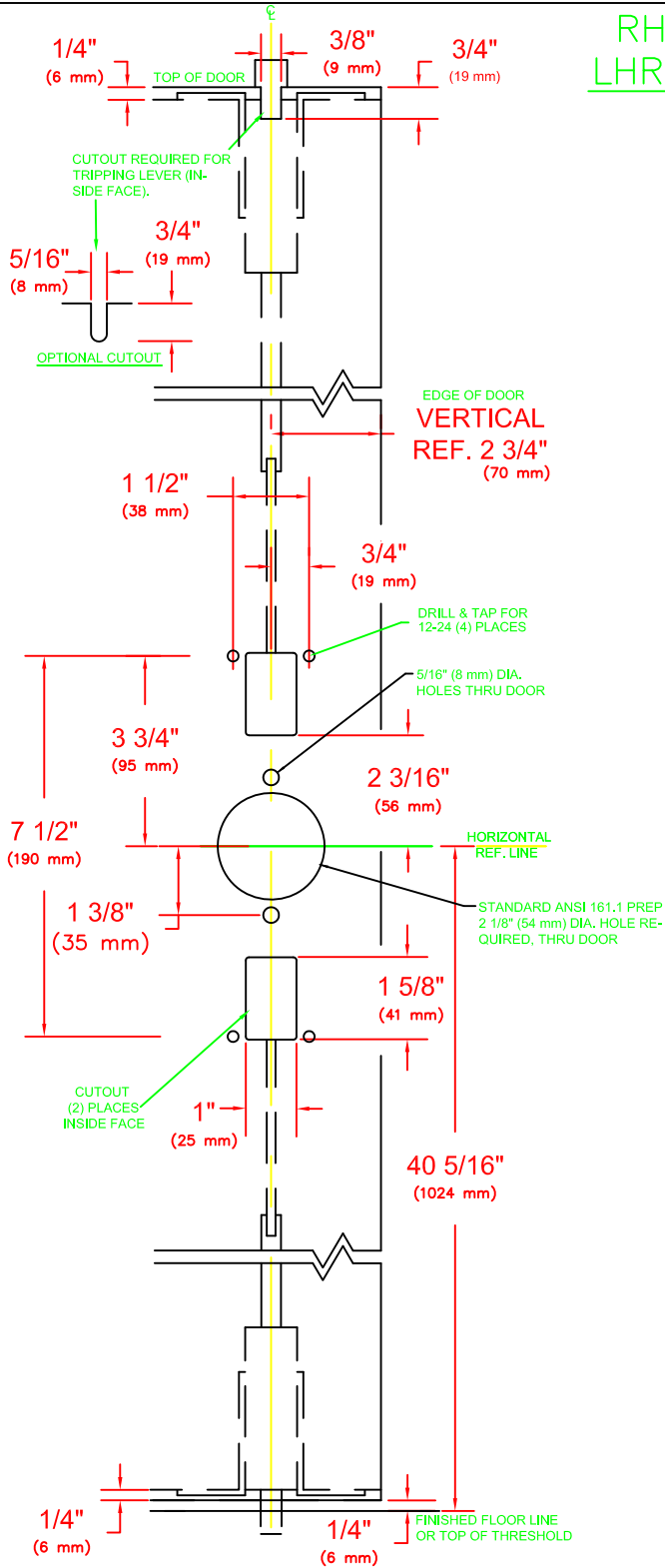


RHR SHOWN
LHR OPPOSITE



FOR LESS BOTTOM ROD (LBR) DEVICES, DELETE BOTTOM LATCH PREP. POPPER REQUIRED ON FIRE RATED DEVICE, SEE TEMPLATE T-4012.

NOTES:

1. SEE ADDITIONAL TRIM TEMPLATE WHEN REQUIRED.
2. DEVICE WILL COVER STANDARD SDI CUTOUT.
3. FOR SEX NUTS USE 3/8" DRILL.

VERTICAL REFERENCE	MINIMUM STILE WIDTH
2 3/4" (70 mm)	4 3/16" (106 mm)

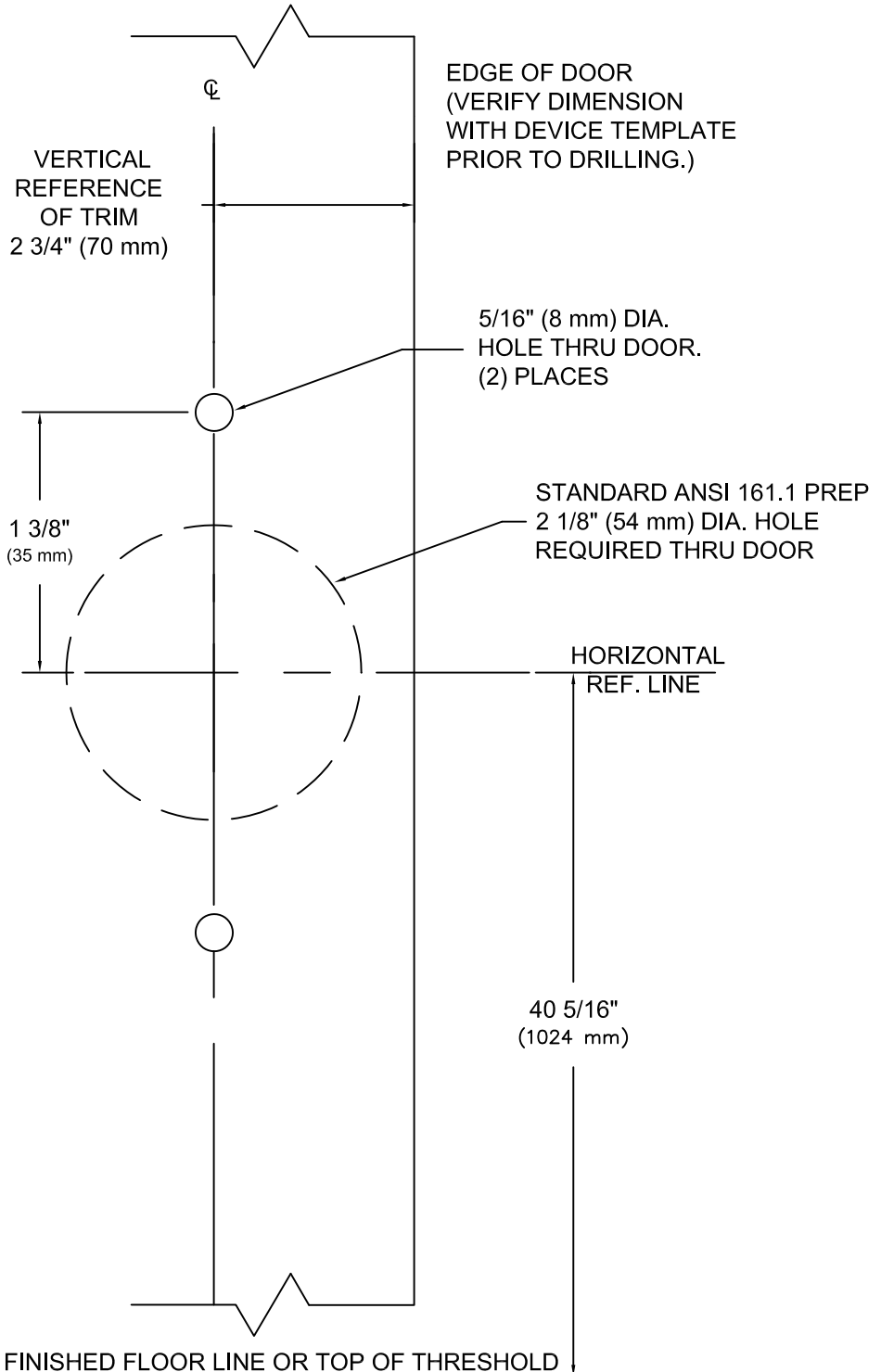
REV. No. 3 REVISION: Lever Style Notes DATE: 1-27-2014



9100 & F9100 CONCEALED VERTICAL ROD EXIT DEVICE WHEN USED WITH THE FOLLOWING TRIM
 9C03, 9R03, 9K03, 9C03IC, 9R03IC, 9K03IC
 9C08, 9R08, 9K08, 9C08IC, 9R08IC, 9K08IC
 9C23, 9R23, 9K23 LEVER TRIM

TEMPLATE NUMBER
 T-9137 (3)

RHR SHOWN
LHR OPPOSITE




NOT TO SCALE

NOTES:

FINISHED FLOOR LINE OR TOP OF THRESHOLD

1. SEE MASTER SHEET #T-0001 FOR SUGGESTED DOOR REINFORCEMENT.
2. SEE ADDITIONAL DEVICE TEMPLATE WHEN REQUIRED.
3. TRIM WILL COVER STANDARD SDI CUTOUT.

REV. No. 1	REVISION: ADD NEW BORDER	DATE: 11-05-14
	<p>9C03, 9R03, 9K03, 9C03IC, 9R03IC, 9K03IC, 9C08 9R08, 9K08, 9C08IC, 9R08IC, 9K08IC KEY IN LEVER TRIM 9C23, 9R23, 9K23 LEVER TRIM</p>	<p>TEMPLATE NUMBER T-9013①</p>